

DESCRIPTION:

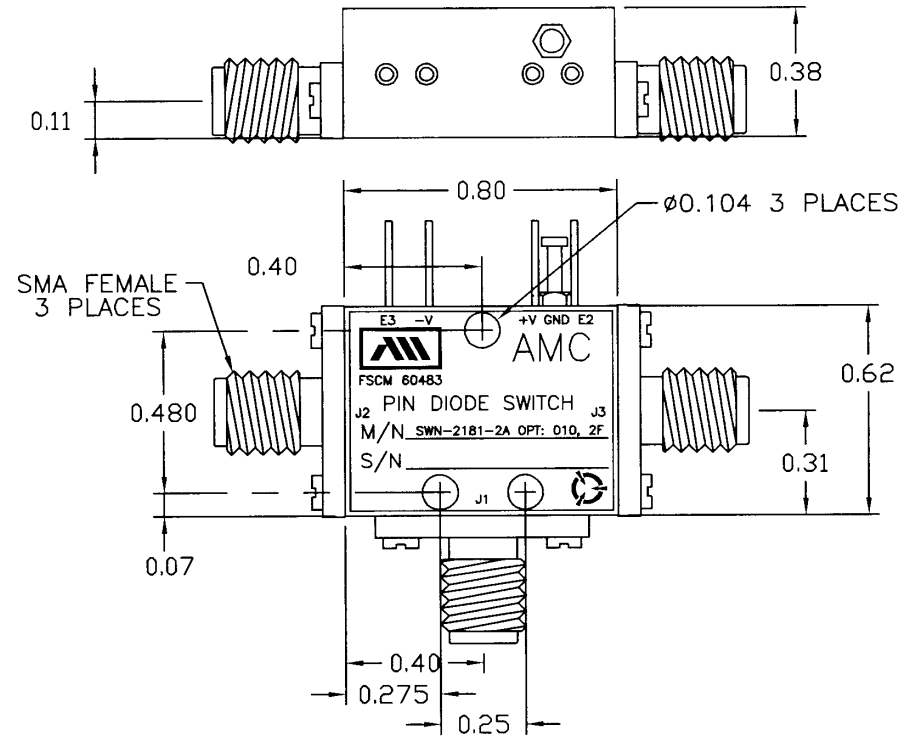
AMC MODEL NUMBER SWN-2181-2A OPTION 010, 2F IS AN ABSORPTIVE, SINGLE POLE DOUBLE THROW PIN DIODE SWITCH. DESIGNED FOR 1.9 GHZ TO 2.1 GHZ FREQUENCY RANGE.

ZONE		REV.	DESCRIPTION	DATE	APPROVED
-		-	ORIGINAL RELEASE, JOB# 707137	10/28/03	

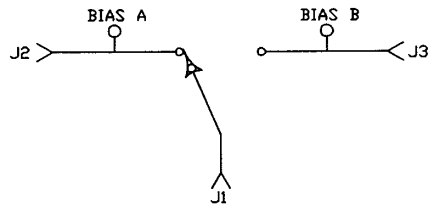
SPECIFICATIONS:

- FREQUENCY: 1.9 GHZ TO 2.1 GHZ
- INSERTION LOSS: 2.0 dB
- ISOLATION: 55 dB
- VSWR: 1.8:1
- SPEED: RISE: 50 nS MAXIMUM
FALL: 50 nS MAXIMUM
DELAY ON: 100 nS MAXIMUM
DELAY OFF: 100 nS MAXIMUM
- POWER INPUT: (CW)+20dBm (STANDARD), +10 dBm (HIGH SPEED)
- SURVIVAL POWER: 1 WATT CW, 10 WATTS PEAK 1 usec
- CONTROL: TTL LOGIC "0"=ON, J1-J2 "1"=OFF, J1-J3
- POWER SUPPLY: +5V @ 65 mA MAXIMUM
-5V @ 50 mA MAXIMUM

MECHANICAL OUTLINE



BLOCK DIAGRAM



CONFIDENTIAL AND PROPRIETARY

ENVIRONMENTAL RATINGS:

- TEMPERATURE: -20°C TO +50°C (OPERATING)
-20°C TO +60°C (STORAGE)
- HUMIDITY: MIL-STD-202F, METHOD 103B COND. B
- SHOCK: MIL-STD-202F, METHOD 213B COND. B
- VIBRATION: MIL-STD-202F, METHOD 204D COND. B
- ALTITUDE: MIL-STD-202F, METHOD 105C COND. B
- TEMPERATURE CYCLE: MIL-STD-202F, METHOD 107D COND. A

NOTE: THE ABOVE SPECIFICATIONS ARE SUBJECT TO CHANGE OR REVISION

ALL DIMENSIONS ARE IN INCHES
TOLERANCES:
X.XX ±0.010
X.XXX ±0.005

PART NO.		AMERICAN MICROWAVE CORPORATION FREDERICK, MARYLAND	
APPROVALS	DATE	TITLE PRODUCT FEATURE SWN-2181-2A OPTIONS 010, 2F	
DRAWN <i>WJCS</i>	10/28/03	SIZE A	FSCM NO. 60483
CHECKED		DWG NO. 100-6799	REV. -
ISSUED		SCALE N:S	SHEET 1 of 3